

# STRUT CLAMP

## 517 SERIES

### SPECIFICATION

Sioux Chief 517 series strut clamp shall be used where necessary to fasten or secure CTS tubing and IPS piping in residential or commercial applications. Complies with MSS SP58 - Type 59 Trapeze Hanger.

### MATERIALS

**517-C Series:** Steel with Copper Zinc Dichromate meets ASTM B633 SC3 Type I

**517-G Series:** Steel with Zinc Electroplate meets ASTM B633 SC3 Type I

### INSTALLATION

Install clamp in strut channel around tube or pipe and tighten nut and bolt.

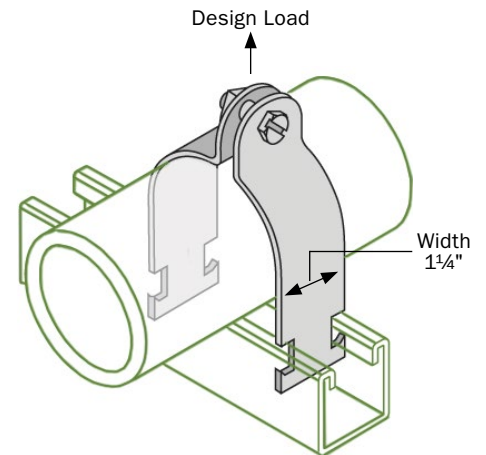
### DIMENSIONS & LOAD RATINGS

Item No.	Size	O.D.	Width	Bolt Dia.	Ga.	Design Load
517-C02	1/2" CTS	0.625"	1-1/4"	1/4"	16	400 LBS
517-C03	3/4" CTS	0.875"	1-1/4"	1/4"	16	400 LBS
517-C04	1" CTS	1.125"	1-1/4"	1/4"	14	600 LBS
517-C05	1-1/4" CTS	1.375"	1-1/4"	1/4"	14	600 LBS
517-C06	1-1/2" CTS	1.625"	1-1/4"	1/4"	14	600 LBS
517-C07	2" CTS	2.125"	1-1/4"	5/16"	12	800 LBS
517-C08	2-1/2" CTS	2.625"	1-1/4"	5/16"	12	800 LBS
517-C09	3" CTS	3.125"	1-1/4"	5/16"	12	800 LBS
517-C10	4" CTS	4.125"	1-1/4"	3/8"	11	1000 LBS
517-G02	1/2" IPS	0.840"	1-1/4"	1/4"	16	400 LBS
517-G03	3/4" IPS	1.050"	1-1/4"	1/4"	14	600 LBS
517-G04	1" IPS	1.315"	1-1/4"	1/4"	14	600 LBS
517-G05	1-1/4" IPS	1.660"	1-1/4"	1/4"	14	600 LBS
517-G06	1-1/2" IPS	1.900"	1-1/4"	5/16"	12	800 LBS
517-G07	2" IPS	2.375"	1-1/4"	5/16"	12	800 LBS
517-G08	2-1/2" IPS	2.875"	1-1/4"	5/16"	12	800 LBS
517-G09	3" IPS	3.500"	1-1/4"	5/16"	12	800 LBS
517-G10	4" IPS	4.500"	1-1/4"	3/8"	11	1000 LBS

ITEM # SUBMITTED	_____
JOB NAME	_____
LOCATION	_____
ENGINEER	_____
CONTRACTOR	_____
PO#	_____ TAG _____



517-G09



### Create Item Number

## 517-AB

e.g. **517-C03:** Strut clamp for 3/4" CTS copper tube

#### MATERIAL/FINISH **A**

**C** = Copper Zinc Dichromate (CTS)

**G** = Zinc Electroplate (IPS)

#### RING/STRAINER TYPE **C**

**02** = 1/2" Nom.

**03** = 3/4" Nom.

**04** = 1" Nom.

**05** = 1-1/4" Nom.

**06** = 1-1/2" Nom.

**07** = 2" Nom.

**08** = 2-1/2" Nom.

**09** = 3" Nom.

**10** = 4" Nom.